

Uni-vessels

Industriel Techniques Ltd, design and manufacture Uni-vessels from craft and micro brewery volumes to 200 Brl capacity for fermentation and conditioning purposes.
 Vessels constructed to PD 5500 - 2009 and or ASME VIII Div 1 design codes CE marked.

Design data vessel

Working pressure - 1 Bar.g
 Working temperature - -2°C +20°C
 Internal surface finish - 0.8 Ra

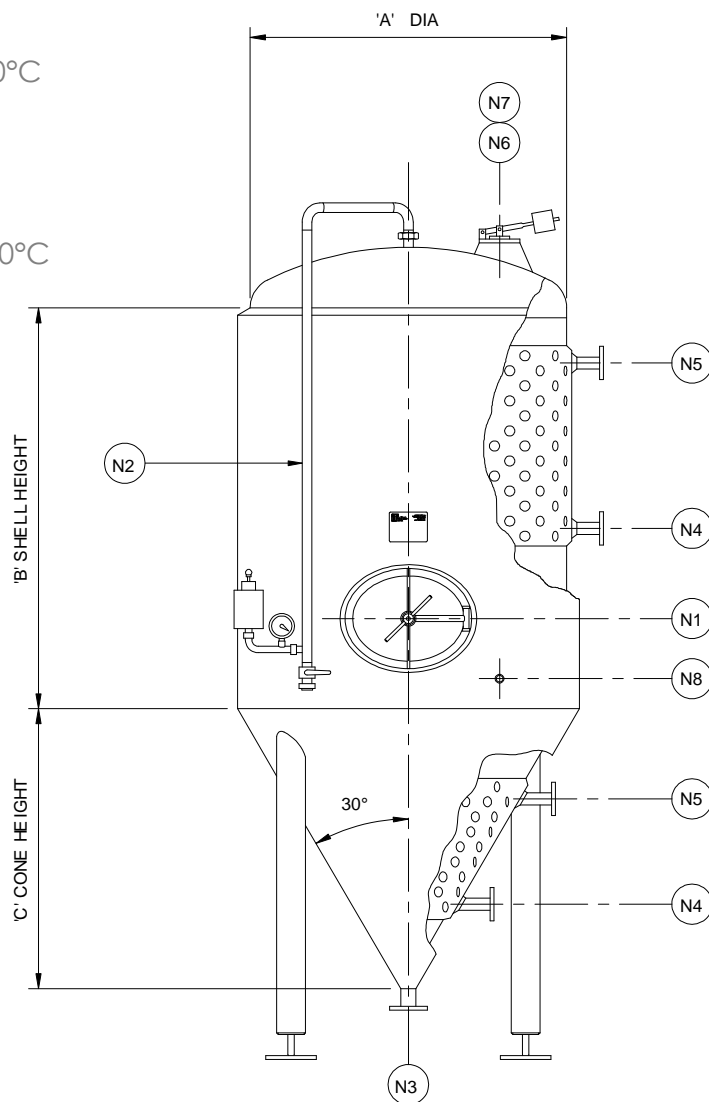
Design data Jackets

Working pressure - 2 Bar.g
 Working temperature - -2°C + 20°C

- N1 Elliptical manway
- N2 Combined CIP / CO2 c/w bunging device
- N3 Inlet / outlet
- N4 Jacket inlet
- N5 Jacket outlet
- N6 Anti-vacuum valve
- N7 Pressure relief valve
- N8 Sample valve

Options

- Increased working pressures
- Top manways
- Sight glasses
- Top plates
- Heat trace pads
- Constant pressure devices
- Welded or riveted cladding
- Hip plate mountings



Contact

Tel. 01449 616109
 Fax. 01449 678264
 e-mail info@indtec.co.uk
 www.indtec.co.uk



Working Volume	Dim A	Dim B	Dim C
817 Litres	1000 mm	1200 mm	866 mm
1634 Litres	1250 mm	1120 mm	1082 mm
2451 Litres	1500 mm	1300 mm	1300 mm
3268 Litres	1700 mm	1500 mm	1472 mm
4903 Litres	1900 mm	1700 mm	1645 mm
6537 Litres	2000 mm	2425 mm	1732 mm